

Post-Tensioning Systems

DSI Product Overview

Strand Post-Tensioning System

System Description

Anchorage

Anchorage Types

Multiplane Anchorage MA

Plate Anchorage SD

Bond Head Anchorage Z

Flat Anchorage FA

Couplers

Installation

Equipment

Monostrand PT System

Bar Post-Tensioning System

Structural Repair Solutions

DYNA® Force Elasto-Magnetic Sensor

Downloads [read more ...](#)

Brochure DYWIDAG Post-Tensioning Systems, Filesize:1.8 MB

Brochure What is Post-Tensioning, Filesize:17.6 kB

Brochure ASBI Grouting Practices, Filesize:67 kB

References [read more ...](#)

Olympic Skating Oval, Richmond, Canada

New Grand-Mère Generating Station, Canada

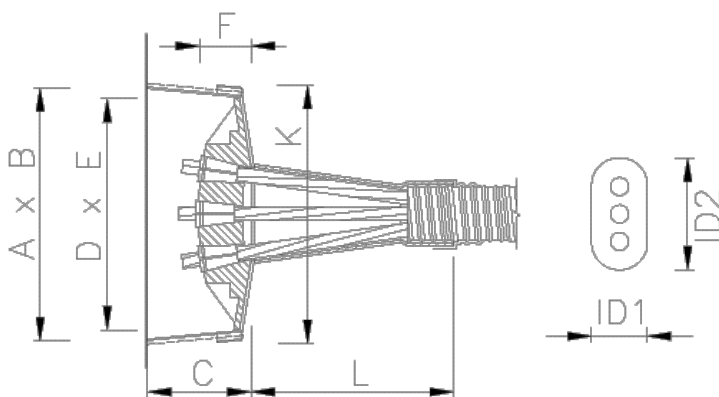
Convert Technical Units

Search DSI Website



Multistrand Post-Tensioning System

Flat Anchorage FA



Tendon Size	3-0.6" or 4-0.5"	4-0.6" or 5-0.5"
Flat Anchorage D	10 \ 255	13 \ 330
E	4 \ 100	4 \ 100
F	2- ¹ / ₄ \ 57	2- ¹ / ₄ \ 57
Transition K	12- ¹ / ₄ \ 310	- -
L	4- ¹ / ₂ \ 155	8- ⁵ / ₈ \ 220
Pocket Former A	10- ³ / ₄ \ 275	13- ³ / ₄ \ 350
B	4- ¹ / ₂ \ 115	4- ⁷ / ₈ \ 124
C	5- ¹ / ₂ \ 140	5- ⁷ / ₈ \ 148
Duct I.D.1	1 \ 25	1 \ 25
I.D.2	3 \ 75	3 \ 75

All dimensions are nominal and are expressed in inch \ mm.

Subject to modification.